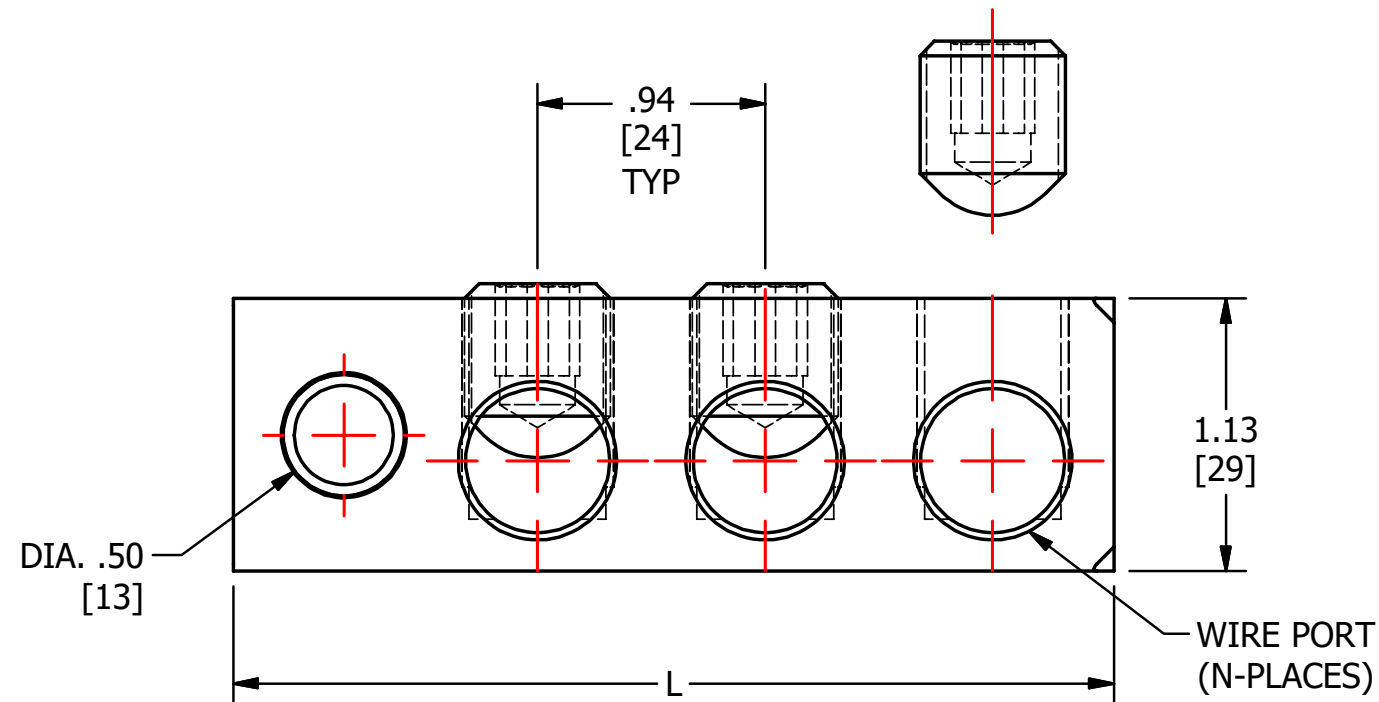
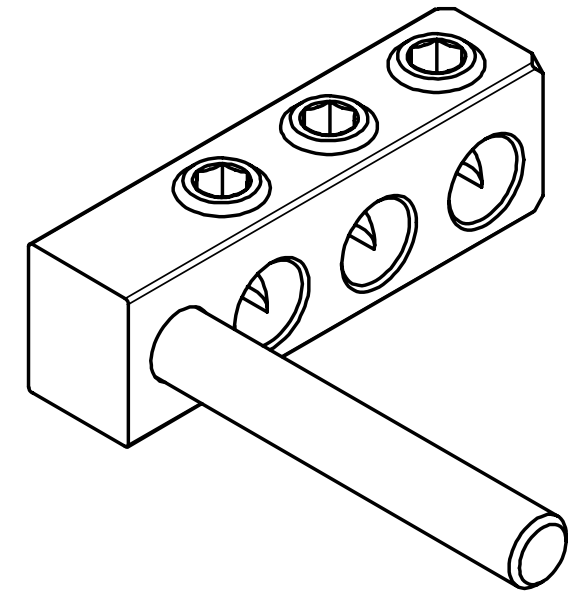
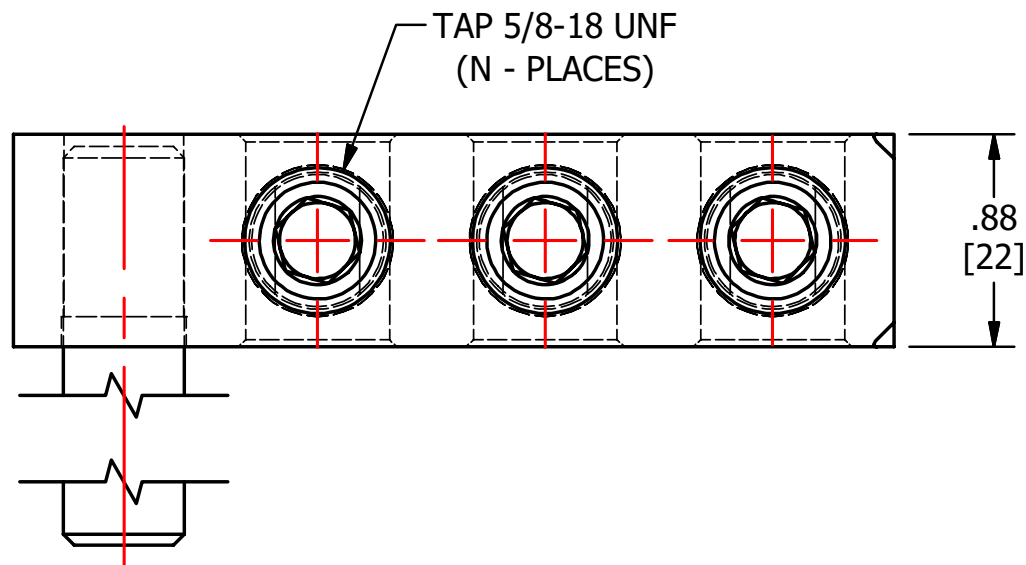


S.NO	CATALOG NUMBER	L	N
1	NP2-250I	2.70 [68]	2
2	NP3-250I	3.64 [92]	3
3	NP4-250I	4.58 [116]	4
4	NP6-250I	6.46 [164]	6
5	NP8-250I	8.34 [212]	8



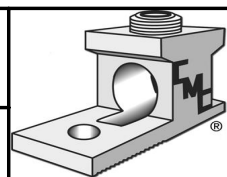
CONDUCTOR RANGE: 250 Kcmil - #12 AWG
 FINISH: CLEAR PLATE
 MATERIAL: ALUMINUM

					TO ORDER CMC PRODUCTS CALL 1-513-860-4455	DRAWN BY: TS 09-26-19	NAME OF PART: PIN CONNECTOR ASSEMBLY	CAT. NO.: SEE TABLE
					FOR PRODUCT INFO: http://www.cmclugs.com	CHECKED BY:	DWG NO: C58700076I-S (CHARTED)	A
A	NEW DRAWING CREATED		09-26-19	TS		DRAWING NOT TO SCALE		SHEET NO: 1 OF 1
REV.	DESCRIPTION	ECN	DATE	INIT.				

THIS INFORMATION IS PROPRIETARY TO CONNECTOR MFG. CO. AND IS NOT TO BE DISCLOSED OUTSIDE OF CONNECTOR MFG. CO. WITHOUT A CONFIDENTIALITY AGREEMENT



CONNECTOR MANUFACTURING CO.



HAMILTON, OHIO